

ZHA-公制/公制

ZHA-公制M/英制G

转换头

adapter substitute

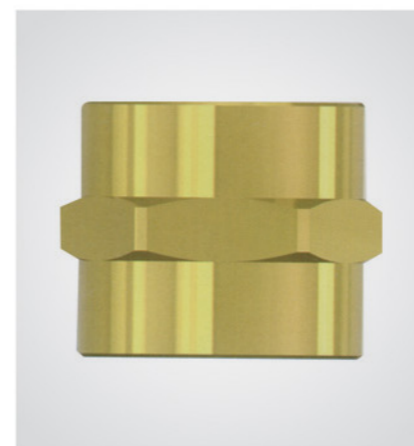
转换头

adapter substitute



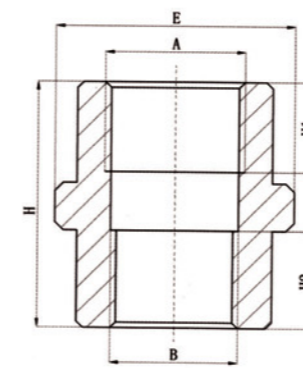
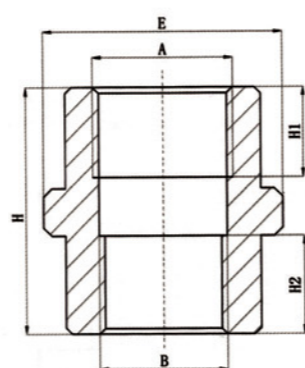
材质 黄铜、黄铜镀镍或不锈钢 (订货时请指明)
Material Brass、Nickel-plated brass、stainless steel (When ordering, please specify)

特点 适用于需螺纹转换的场所
Features Suitable for thread conversion place



材质 黄铜、黄铜镀镍或不锈钢 (订货时请指明)
Material Brass、Nickel-plated brass、stainless steel (When ordering, please specify)

特点 适用于需螺纹转换的场所
Features Suitable for thread conversion place



订购示例 (e.g.): ZHA-M20x1.5/M20X1.5

单位:mm

螺纹及规格 Size and thread	H1	H2	H	E
ZHA-M16X1.5/M16X1.5	10	10	22	26
ZHA-M16X1.5/M20X1.5	12	12	27	32
ZHA-M20X1.5/M20X1.5	12	12	26	32
ZHA-M20X1.5/M25X1.5	12	12	26	35
ZHA-M20X1.5/M32X1.5	13	12	28	44
ZHA-M25X1.5/M25X1.5	13	13	28	35
ZHA-M25X1.5/M32X1.5	13	13	28	44
ZHA-M32X1.5/M32X1.5	15	15	32	44
ZHA-M40X1.5/M40X1.5	15	15	32	58
ZHA-M50X1.5/M50X1.5	16	16	34	69
ZHA-M63X1.5/M63X1.5	16	16	34	81

订购示例 (e.g.): ZHA-M25x1.5/G3/4

单位:mm

螺纹及规格 Size and thread	H1	H2	H	E
ZHA-M20X1.5/G1/2	12	12	26	32
ZHA-M20X1.5/G3/4	12	12	26	35
ZHA-M25X1.5/G3/4	13	13	28	35
ZHA-M32X1.5/G1	15	15	32	44
ZHA-M40X1.5/G1 1/4	15	15	32	58
ZHA-M40X1.5/G1 1/2	15	15	32	69
ZHA-M50X1.5/G1 1/2	15	15	32	69
ZHA-M63X1.5/G2	15	15	34	81